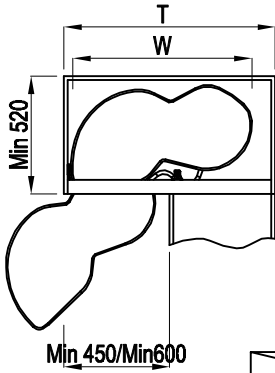


Swing trays installation instruction

Name	T=Cabinet	Width*Depth*Height
Swing trays	900 mm	785*468*(600-730)
Swing trays	1200 mm	960*475*(600-730)

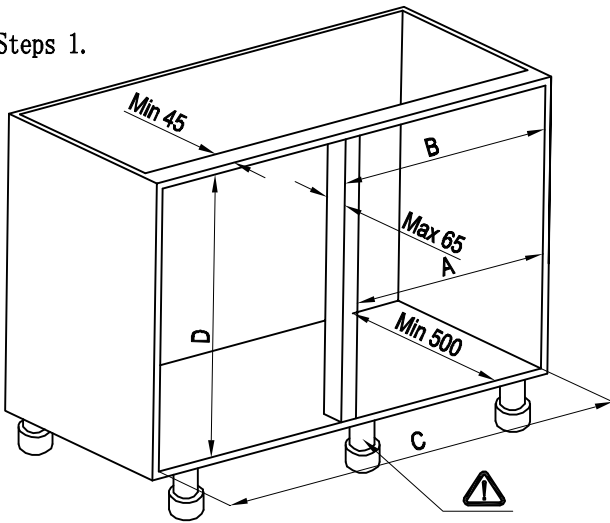


Description	Picture	Quantity
Handle support		2
Handle support		2
Peg		2
Bottom fixing glue		1
Top fixing glue		1
Drilling plate		1
ST3.5*16 tapping screw		10
ST5.0*18 tapping screw		16
damper		2

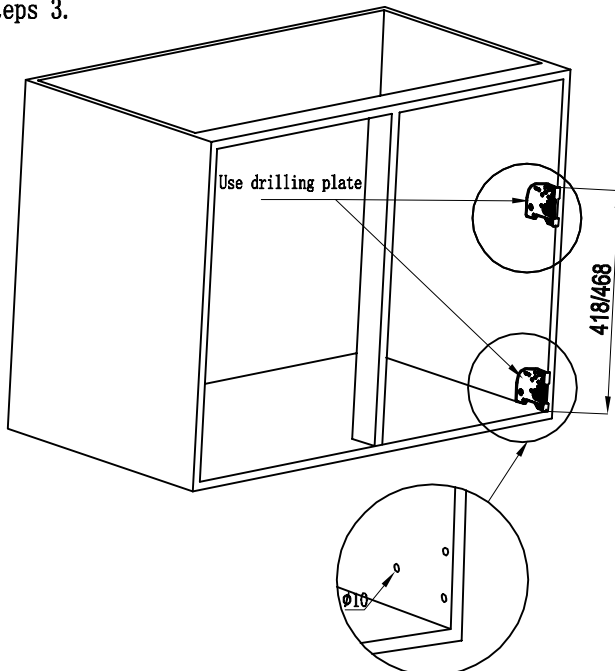
	A	B	C	D
900 mm L	411-418	Max. 450	Min. 860	600-700
900 mm R	411-418	Max. 450	Min. 860	600-700
1200 mm L	561-568	Max. 600	Min. 1060	600-700
1200 mm R	561-568	Max. 600	Min. 1060	600-700

Attn: This instruction is fit for the right open, Left open is symmetry.

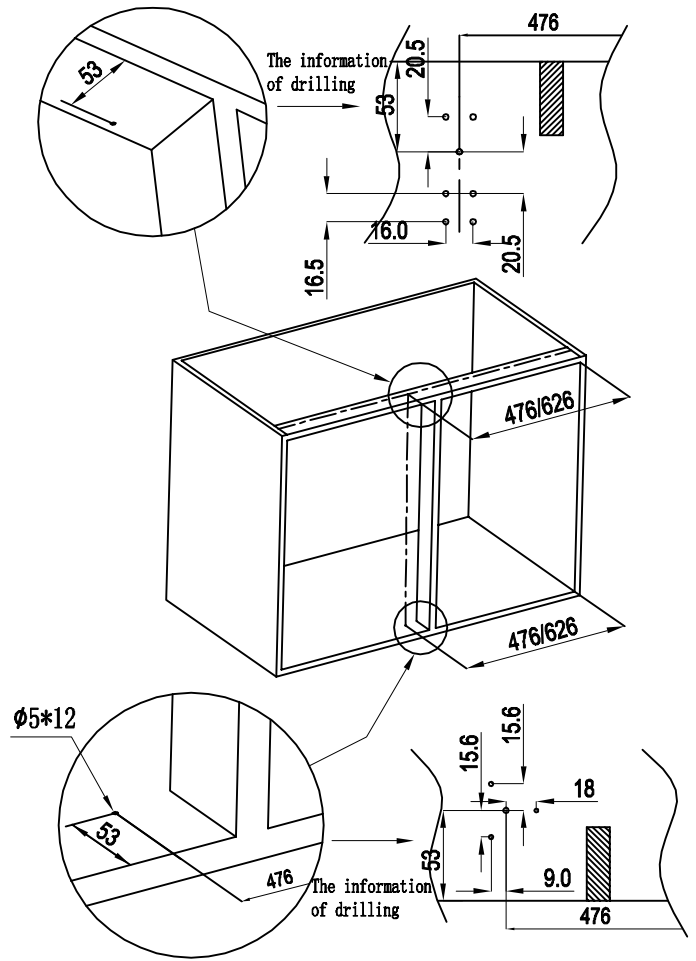
Steps 1.



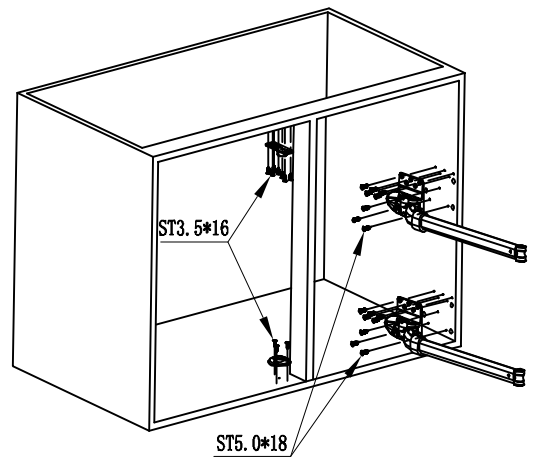
Steps 3.



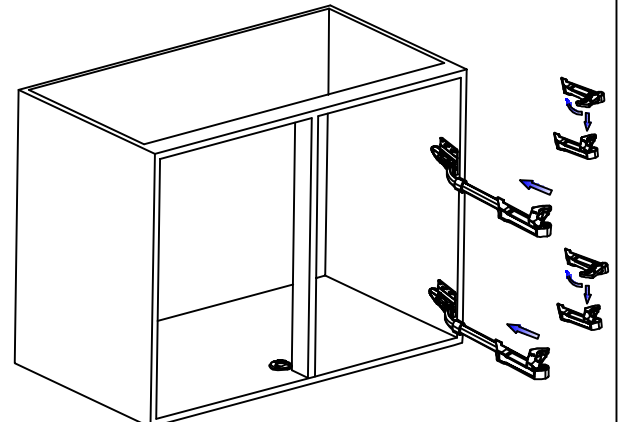
Steps 2.



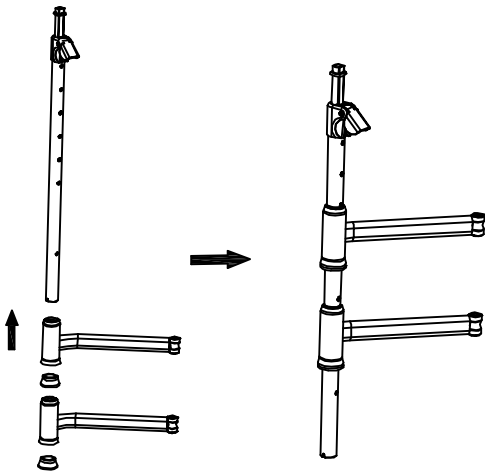
Steps 4.



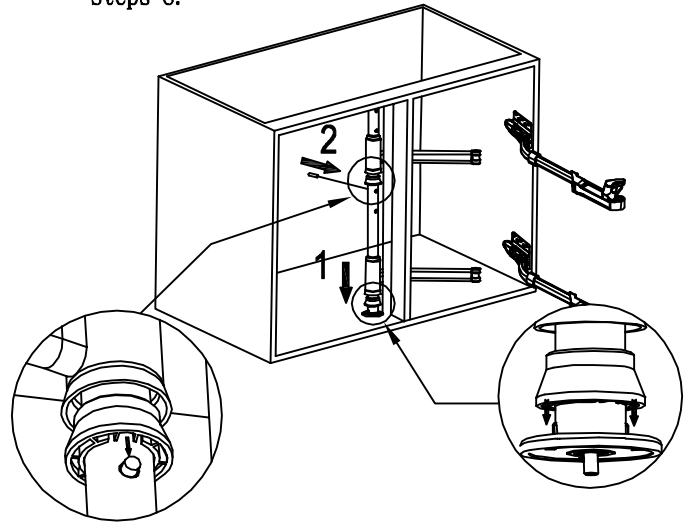
Steps 5.



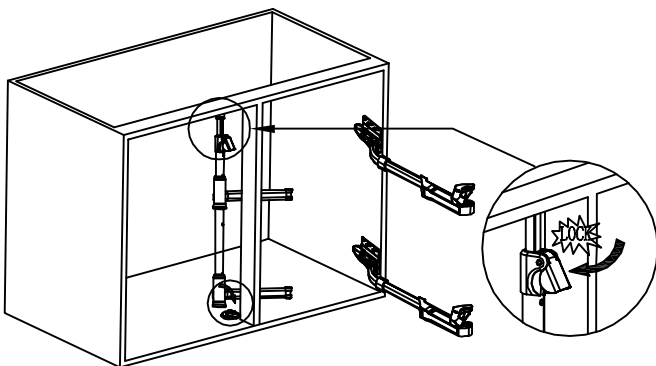
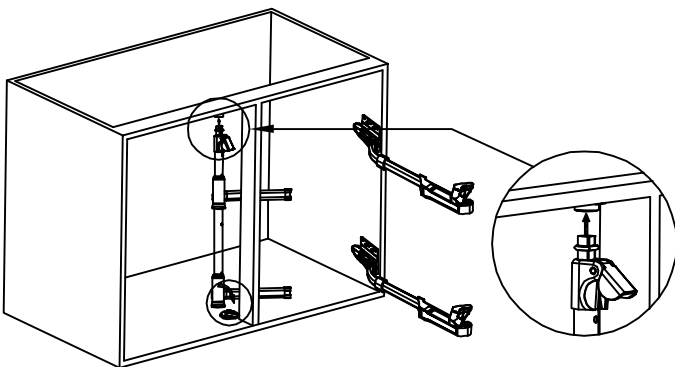
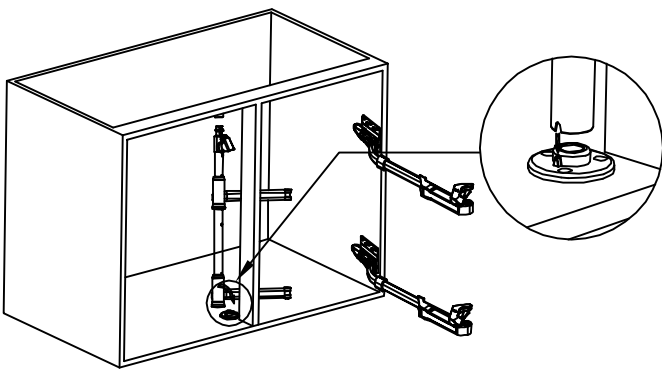
Steps 6.



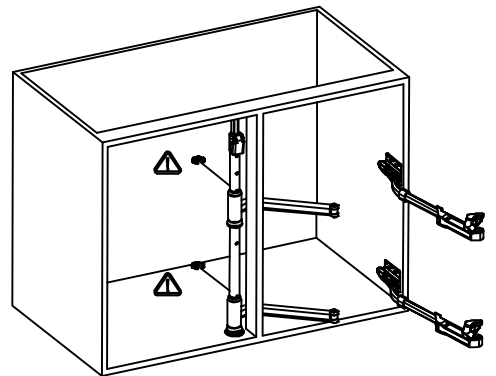
Steps 8.



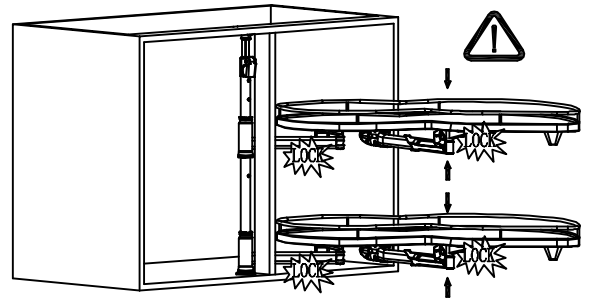
Steps 7.



Steps 9.



Steps 10.



Steps 11.

