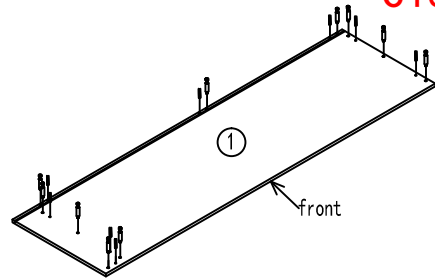
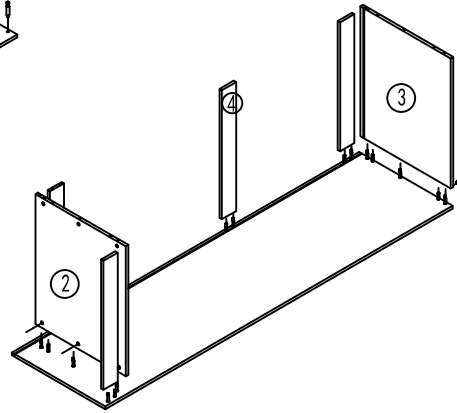


ASSEMBLY INSTRUCTION

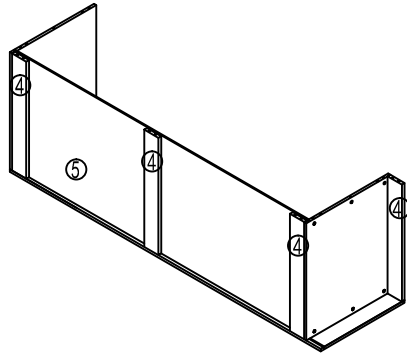
C1584D



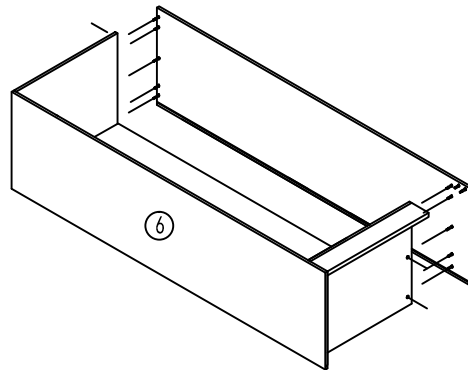
Step1



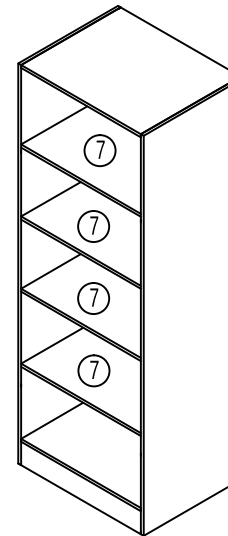
Step2



Step3



Step4



Step5

C1584D

PICTURE	ITEM	SPEC	QTY.
	Cam lock	Ø15*13	20
	Cam lock screw	Ø8*35	20
	Dowel	Ø8*35	16
	Shelf support	Ø20*12	16

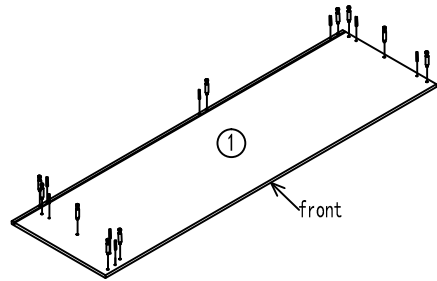
BOX

Part	L	W	T	QTY.
1 Right panel	83 5/8"	23 3/4"	3/4"	1
2 Bottom panel	23 3/4"	13 1/2"	3/4"	1
3 Top panel	23 3/4"	13 1/2"	3/4"	1
4 panel	3"	13 1/2"	3/4"	4
5 Back panel	79 5/8"	13 7/8"	3/8"	1
6 Left panel	83 5/8"	23 3/4"	3/4"	1
7 Shelf	22 5/8"	13 1/2"	3/4"	4

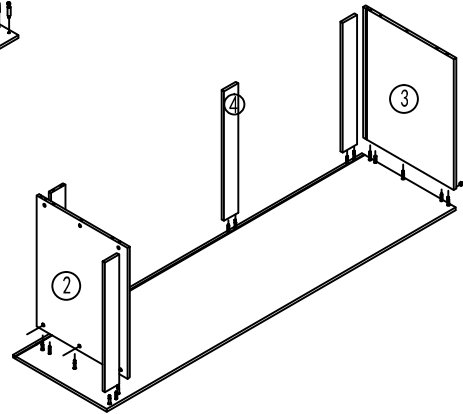
total 13

ASSEMBLY INSTRUCTION

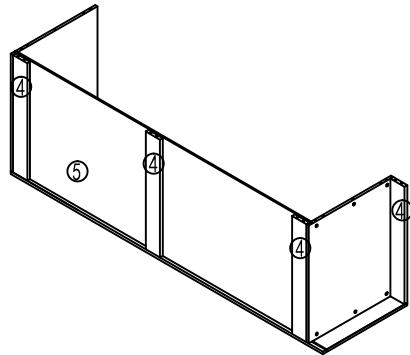
C1884D



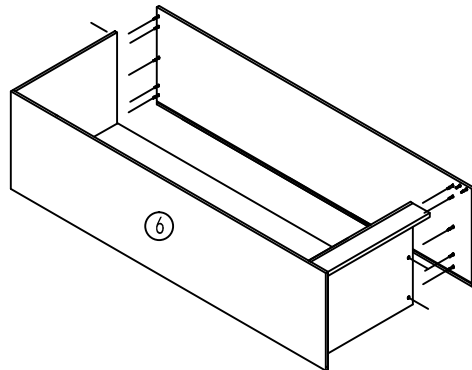
Step1



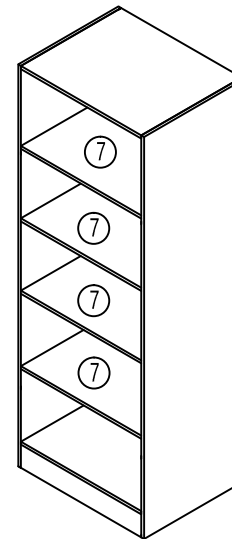
Step2



Step3



Step4



Step5

C1884D

PICTURE	ITEM	SPEC	QTY.
	Cam lock	Ø15*13	20
	Cam lock screw	Ø8*35	20
	Dowel	Ø8*35	16
	Shelf support	Ø20*12	16

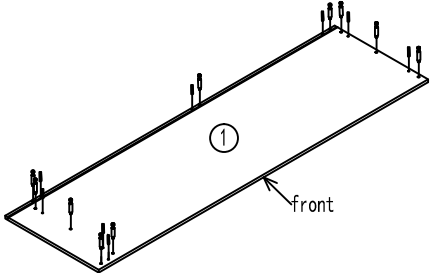
BOX

Part	L	W	T	QTY.
1 Right panel	83 5/8"	23 3/4"	3/4"	1
2 Bottom panel	23 3/4"	16 1/2"	3/4"	1
3 Top panel	23 3/4"	16 1/2"	3/4"	1
4 panel	3"	16 1/2"	3/4"	4
5 Back panel	79 5/8"	16 7/8"	3/8"	1
6 Left panel	83 5/8"	23 3/4"	3/4"	1
7 Shelf	22 5/8"	16 1/2"	3/4"	4

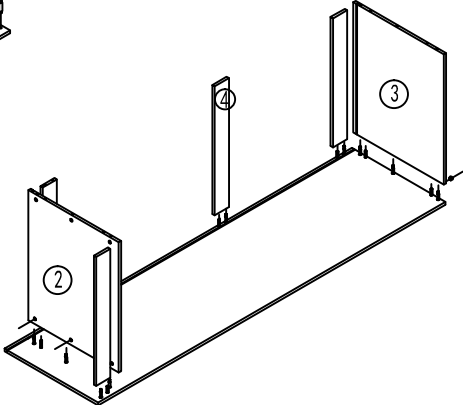
total 13

ASSEMBLY INSTRUCTION

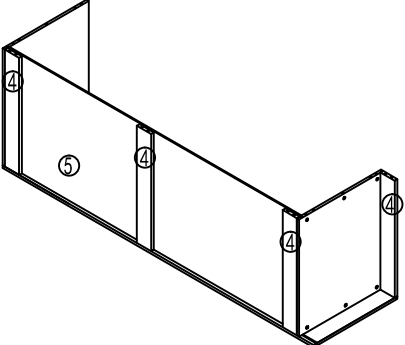
C2184D



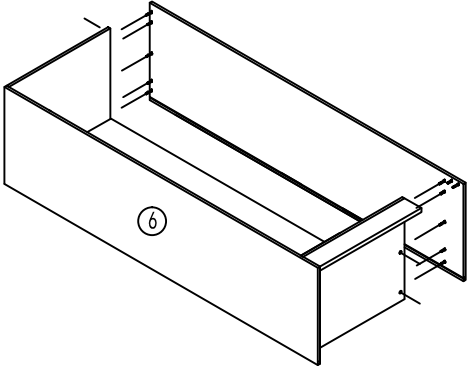
Step1



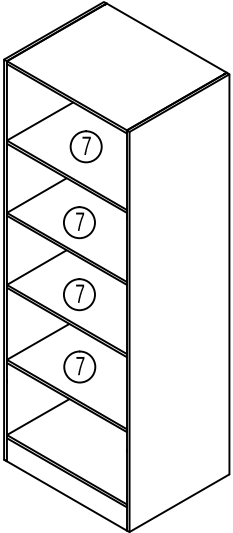
Step2



Step3



Step4



Step5

C2184D

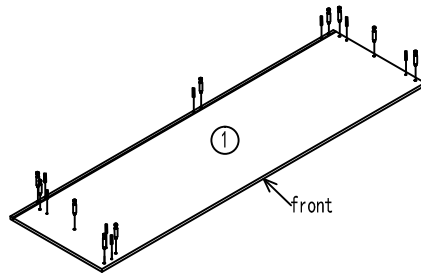
PICTURE	ITEM	SPEC	QTY.
	Cam lock	φ15*13	20
	Cam lock screw	φ8*35	20
	Dowel	φ8*35	16
	Shelf support	φ20*12	16

BOX

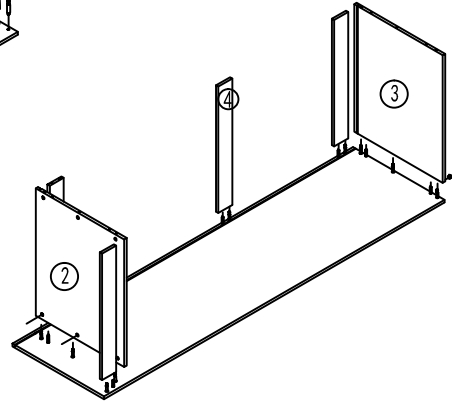
Part	L	W	T	QTY.
1 Right panel	83 5/8"	23 3/4"	3/4"	1
2 Bottom panel	23 3/4"	19 1/2"	3/4"	1
3 Top panel	23 3/4"	19 1/2"	3/4"	1
4 panel	3"	19 1/2"	3/4"	4
5 Back panel	79 5/8"	19 7/8"	3/8"	1
6 Left panel	83 5/8"	23 3/4"	3/4"	1
7 Shelf	22 5/8"	19 1/2"	3/4"	4
				total 13

ASSEMBLY INSTRUCTION

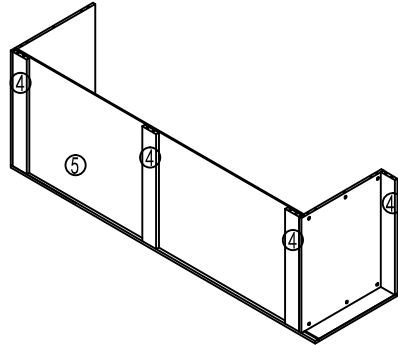
C2484D



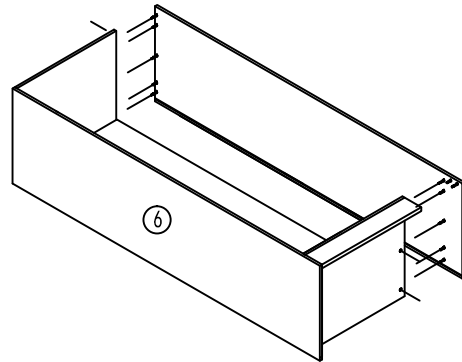
Step1



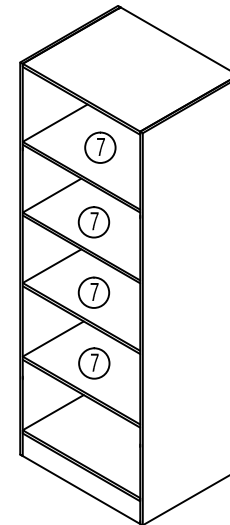
Step2



Step3



Step4



Step5

C2484D

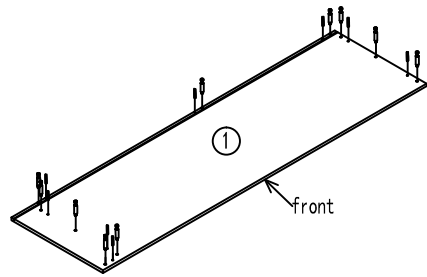
PICTURE	ITEM	SPEC	QTY.
	Cam lock	Ø15*13	20
	Cam lock screw	Ø8*35	20
	Dowel	Ø8*35	16
	Shelf support	Ø20*12	16

BOX

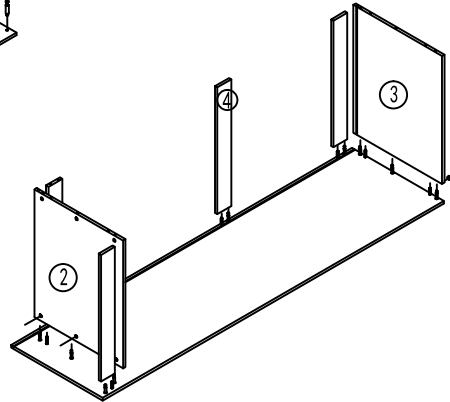
	Part	L	W	T	QTY.
1	Right panel	83 5/8"	23 3/4"	3/4"	1
2	Bottom panel	23 3/4"	22 1/2"	3/4"	1
3	Top panel	23 3/4"	22 1/2"	3/4"	1
4	panel	3"	22 1/2"	3/4"	4
5	Back panel	79 5/8"	22 7/8"	3/8"	1
6	Left panel	83 5/8"	23 3/4"	3/4"	1
7	Shelf	22 5/8"	22 1/2"	3/4"	4
					total 13

ASSEMBLY INSTRUCTION

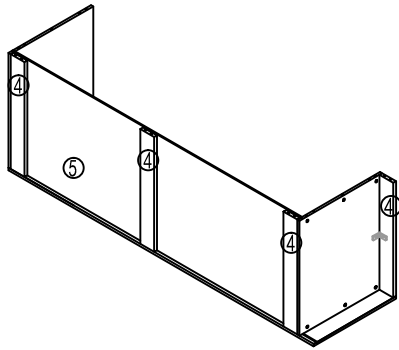
C3084D



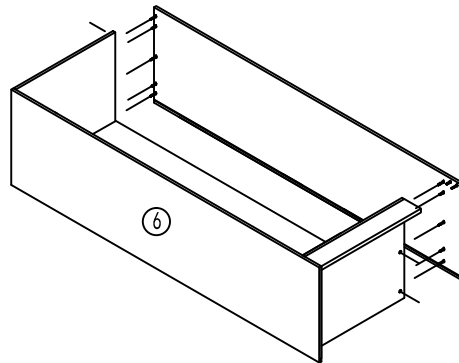
Step1



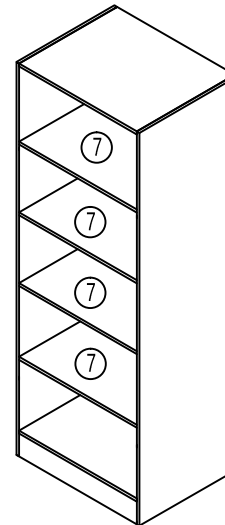
Step2



Step3



Step4



Step5

C3084D

PICTURE	ITEM	SPEC	QTY.
	Cam lock	φ15*13	20
	Cam lock screw	φ8*35	20
	Dowel	φ8*35	16
	Shelf support	φ20*12	16
	Metal bracket	Corner	1

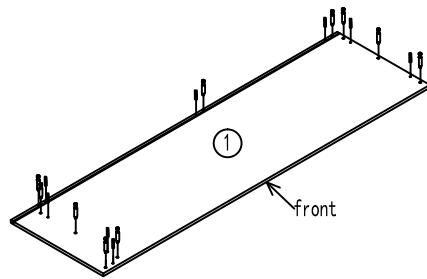
BOX

Part	L	W	T	QTY.
1 Right panel	83 5/8"	23 3/4"	3/4"	1
2 Bottom panel	23 3/4"	28 1/2"	3/4"	1
3 Top panel	23 3/4"	28 1/2"	3/4"	1
4 panel	3"	28 1/2"	3/4"	4
5 Back panel	79 5/8"	28 7/8"	3/8"	1
6 Left panel	83 5/8"	23 3/4"	3/4"	1
7 Shelf	22 5/8"	28 1/2"	3/4"	4

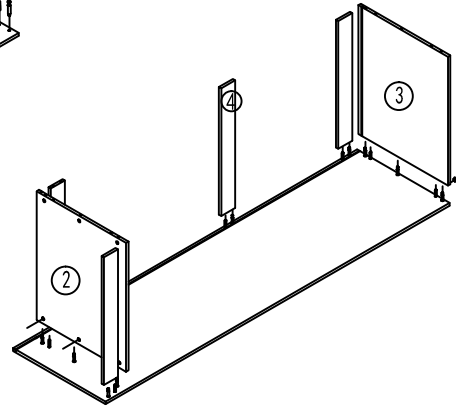
total 13

ASSEMBLY INSTRUCTION

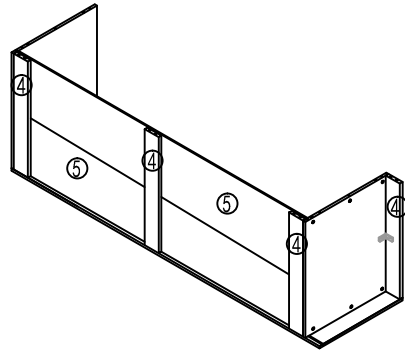
C3684D



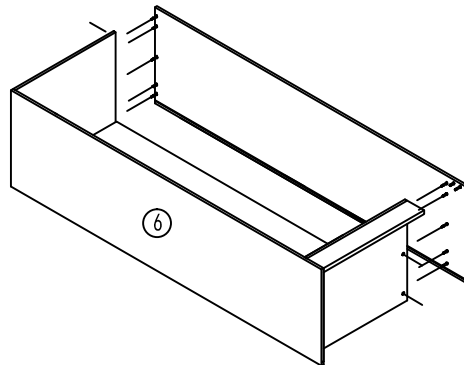
Step1



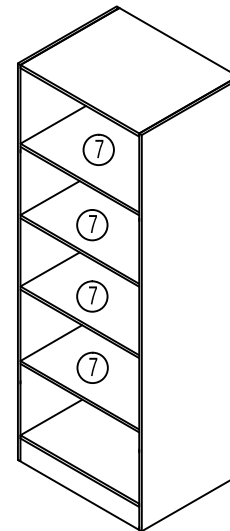
Step2



Step3



Step4



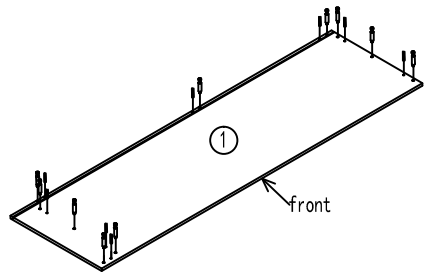
Step5

C3684D

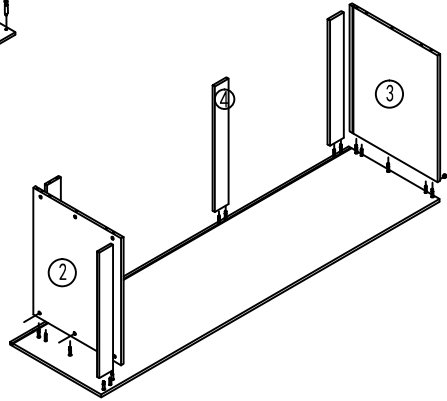
PICTURE	ITEM	SPEC	QTY.		
	Cam lock	φ15*13	20		
	Cam lock screw	φ8*35	20		
	Dowel	φ8*35	16		
	Shelf support	φ20*12	16		
	Metal bracket	Corner	1		
BOX					
	Part	L	W	T	QTY.
1	Right panel	83 5/8"	23 3/4"	3/4"	1
2	Bottom panel	23 3/4"	34 1/2"	3/4"	1
3	Top panel	23 3/4"	34 1/2"	3/4"	1
4	panel	3"	34 1/2"	3/4"	4
5	Back panel	79 5/8"	17 3/8"	3/8"	2
6	Left panel	83 5/8"	23 3/4"	3/4"	1
7	Shelf	22 5/8"	34 1/2"	3/4"	4
total 14					

ASSEMBLY INSTRUCTION

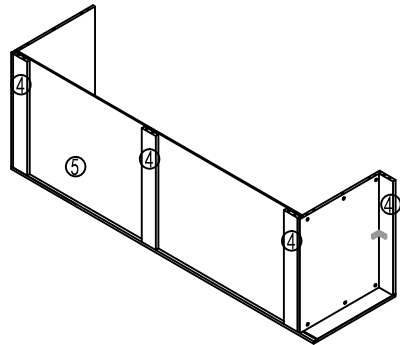
C3084HD



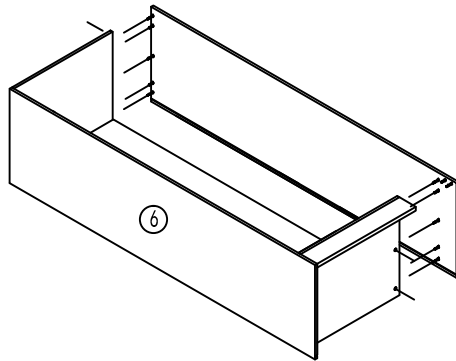
Step1



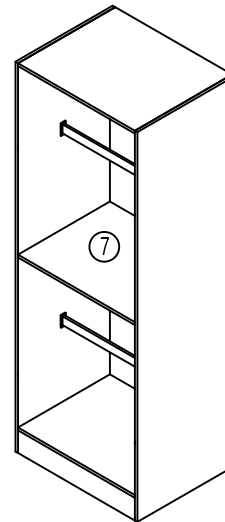
Step2



Step3



Step4



Step5

C3084HD

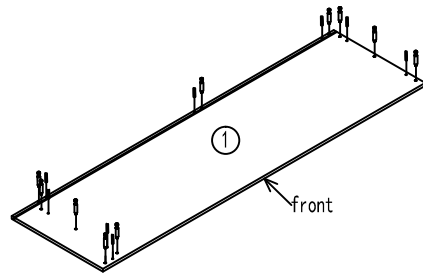
PICTURE	ITEM	SPEC	QTY.
	Cam lock	Ø15*13	20
	Cam lock screw	Ø8*35	20
	Dowel	Ø8*35	16
	Shelf support	Ø20*12	4
	hanging rod	len717mm	2
	Hanging rod support	26*40*15	4
	Metal bracket	Corner	1

BOX

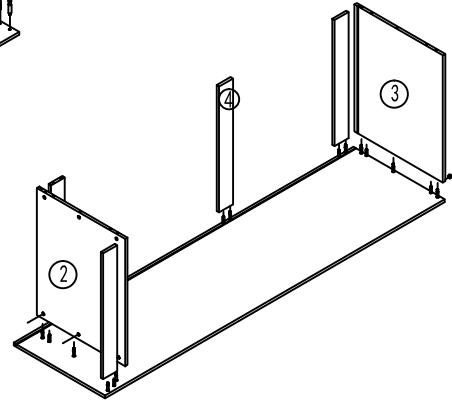
Part	L	W	T	QTY.
1 Right panel	83 5/8"	23 3/4"	3/4"	1
2 Bottom panel	23 3/4"	28 1/2"	3/4"	1
3 Top panel	23 3/4"	28 1/2"	3/4"	1
4 panel	3"	28 1/2"	3/4"	4
5 Back panel	79 5/8"	28 7/8"	3/8"	1
6 Left panel	83 5/8"	23 3/4"	3/4"	1
7 Shelf	22 5/8"	28 1/2"	3/4"	1
				total 10

ASSEMBLY INSTRUCTION

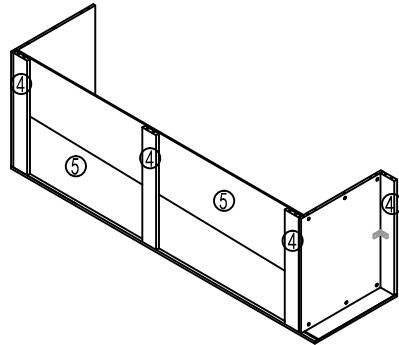
C3684HD



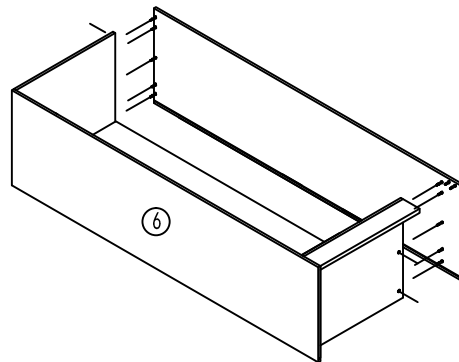
Step1



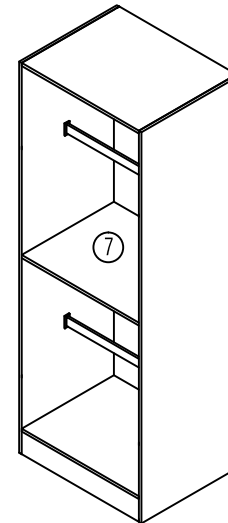
Step2



Step3



Step4



Step5

C3684HD

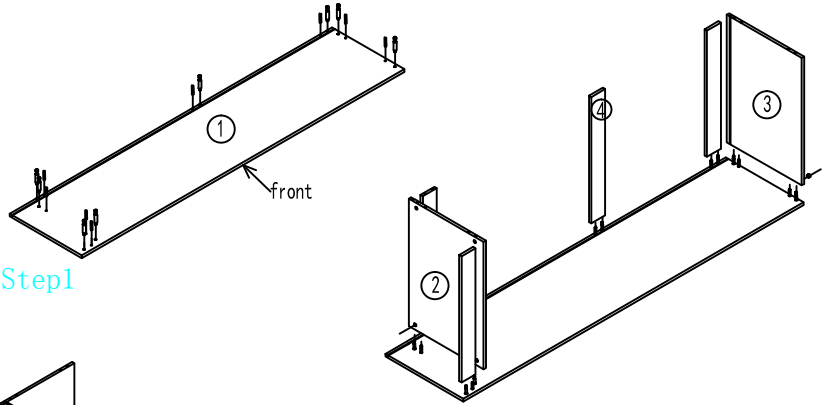
PICTURE	ITEM	SPEC	QTY.
	Cam lock	Ø15*13	20
	Cam lock screw	Ø8*35	20
	Dowel	Ø8*35	16
	Shelf support	Ø20*12	4
	hanging rod	len869mm	2
	Hanging rod support	26*10*15	4
	Metal bracket	Corner	1

BOX

Part	L	W	T	QTY.
1 Right panel	83 5/8"	23 3/4"	3/4"	1
2 Bottom panel	23 3/4"	34 1/2"	3/4"	1
3 Top panel	23 3/4"	34 1/2"	3/4"	1
4 panel	3"	34 1/2"	3/4"	4
5 Back panel	79 5/8"	17 3/8"	3/8"	2
6 Left panel	83 5/8"	23 3/4"	3/4"	1
7 Shelf	22 5/8"	34 1/2"	3/4"	1
				total 11

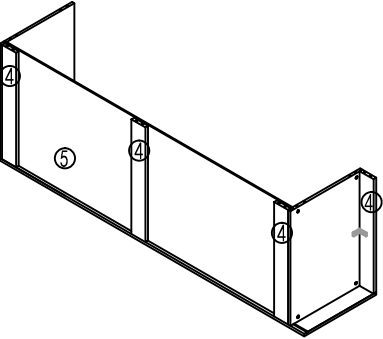
ASSEMBLY INSTRUCTION

C3084H

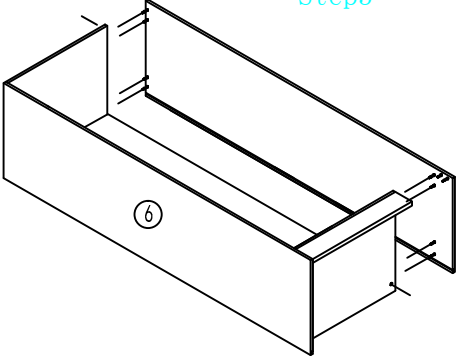


Step1

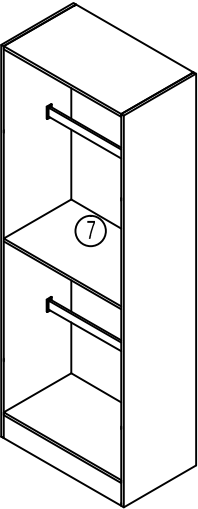
Step2



Step3



Step4



Step5

C3084H

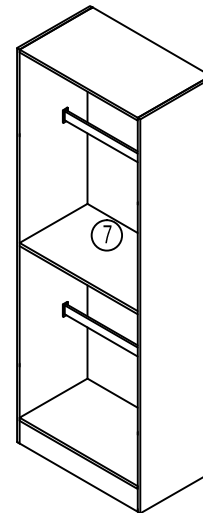
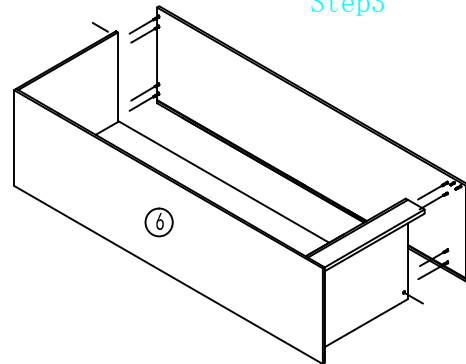
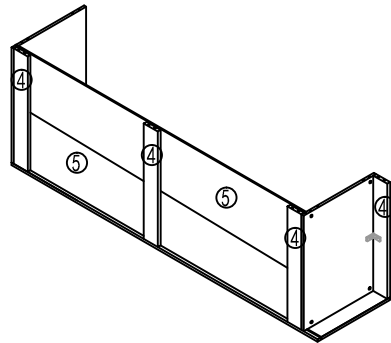
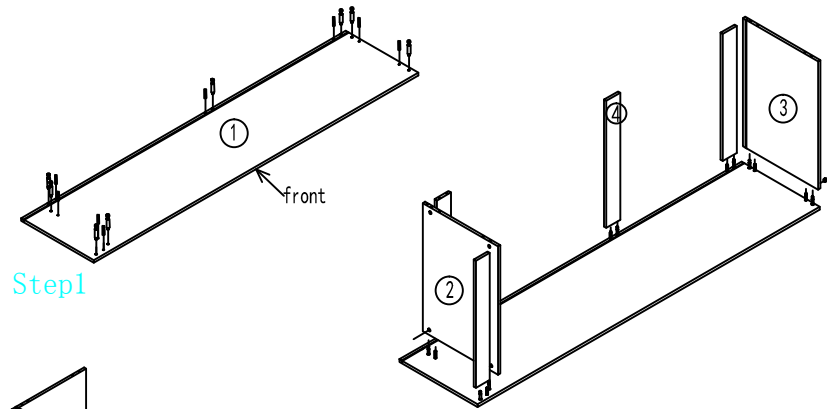
PICTURE	ITEM	SPEC	QTY.
	Cam lock	Ø15*13	16
	Cam lock screw	Ø8*35	16
	Dowel	Ø8*35	16
	Shelf support	Ø20*12	4
	hanging rod	len717mm	2
	Hanging rod support	26*40*15	4
	Metal bracket	Corner	1

BOX

Part	L	W	T	QTY.
1 Right panel	83 5/8"	15"	3/4"	1
2 Bottom panel	15"	28 1/2"	3/4"	1
3 Top panel	15"	28 1/2"	3/4"	1
4 panel	3"	28 1/2"	3/4"	4
5 Back panel	79 5/8"	28 7/8"	3/8"	1
6 Left panel	83 5/8"	15"	3/4"	1
7 Shelf	13 7/8"	28 1/2"	3/4"	1
				total 10

ASSEMBLY INSTRUCTION

C3684H



C3684H

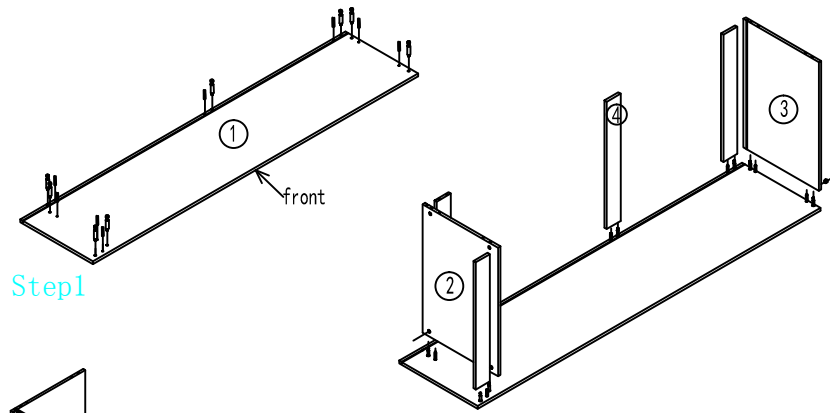
PICTURE	ITEM	SPEC	QTY.
	Cam lock	Ø15*13	16
	Cam lock screw	Ø8*35	16
	Dowel	Ø8*35	16
	Shelf support	Ø20*12	4
	hanging rod	len869mm	2
	Hanging rod support	26*10*15	4
	Metal bracket	Corner	1

BOX

Part	L	W	T	QTY.
1 Right panel	83 5/8"	15"	3/4"	1
2 Bottom panel	15"	34 1/2"	3/4"	1
3 Top panel	15"	34 1/2"	3/4"	1
4 panel	3"	34 1/2"	3/4"	4
5 Back panel	79 5/8"	17 3/8"	3/8"	2
6 Left panel	83 5/8"	15"	3/4"	1
7 Shelf	13 7/8"	34 1/2"	3/4"	1
				total 11

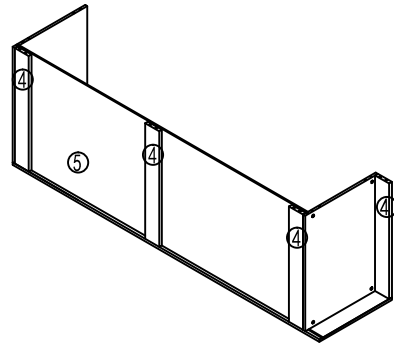
ASSEMBLY INSTRUCTION

C1584

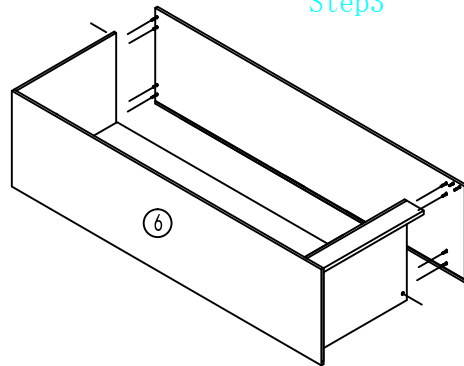


Step1

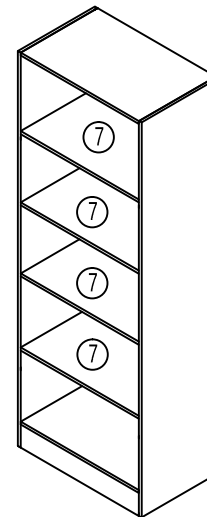
Step2



Step3



Step4



Step5

C1584

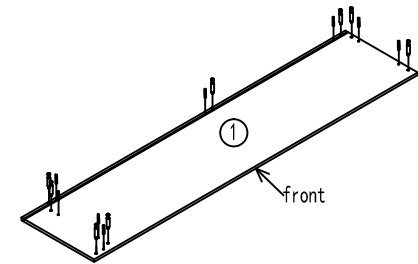
PICTURE	ITEM	SPEC	QTY.
	Cam lock	Φ15*13	16
	Cam lock screw	Φ8*35	16
	Dowel	Φ8*35	16
	Shelf support	Φ20*12	16

BOX

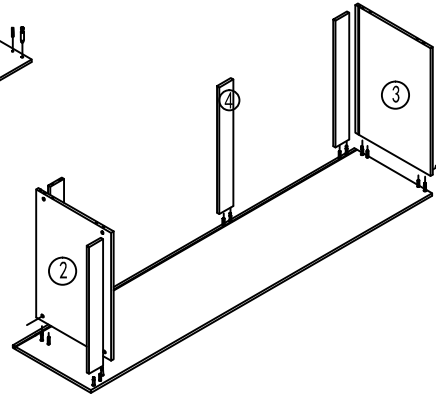
Part	L	W	T	QTY.
1 Right panel	83 5/8"	15"	3/4"	1
2 Bottom panel	15"	13 1/2"	3/4"	1
3 Top panel	15"	13 1/2"	3/4"	1
4 panel	3"	13 1/2"	3/4"	4
5 Back panel	79 5/8"	13 7/8"	3/8"	1
6 Left panel	83 5/8"	15"	3/4"	1
7 Shelf	13 7/8"	13 1/2"	3/4"	4
				total 13

ASSEMBLY INSTRUCTION

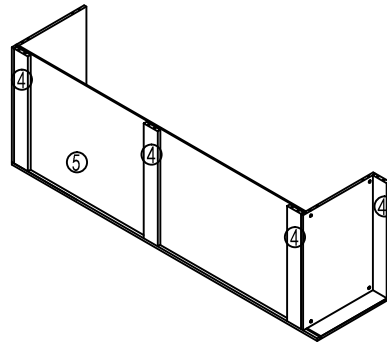
C1884



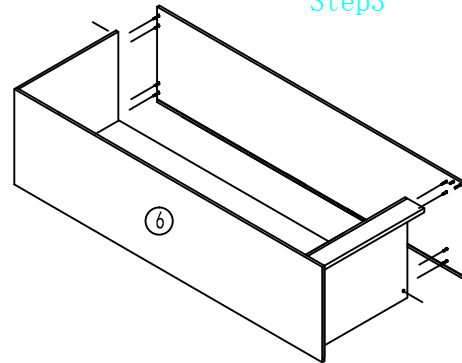
Step1



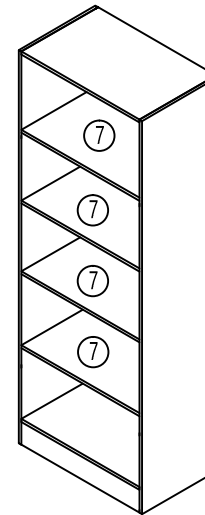
Step2



Step3



Step4



Step5

C1884

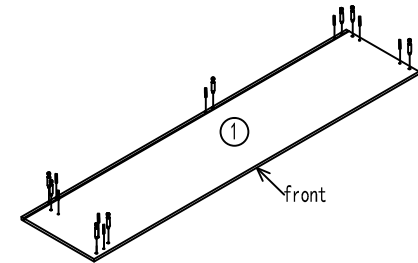
PICTURE	ITEM	SPEC	QTY.
	Cam lock	φ15*13	16
	Cam lock screw	φ8*35	16
	Dowel	φ8*35	16
	Shelf support	φ20*12	16

BOX

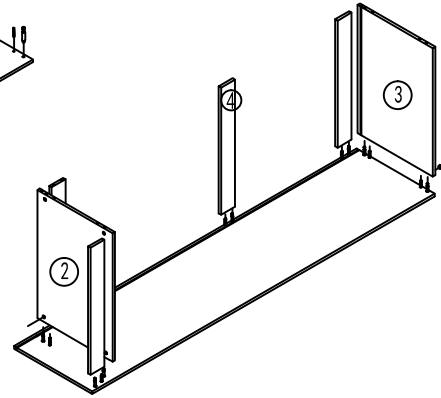
Part	L	W	T	QTY.
1 Right panel	83 5/8"	15"	3/4"	1
2 Bottom panel	15"	16 1/2"	3/4"	1
3 Top panel	15"	16 1/2"	3/4"	1
4 panel	3"	16 1/2"	3/4"	4
5 Back panel	79 5/8"	16 7/8"	3/8"	1
6 Left panel	83 5/8"	15"	3/4"	1
7 Shelf	13 7/8"	16 1/2"	3/4"	4
				total 13

ASSEMBLY INSTRUCTION

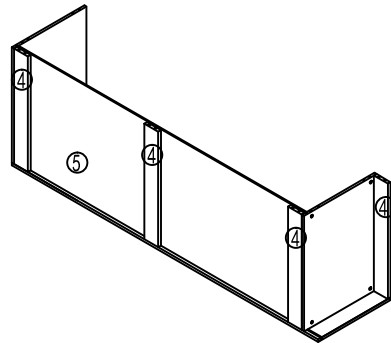
C2184



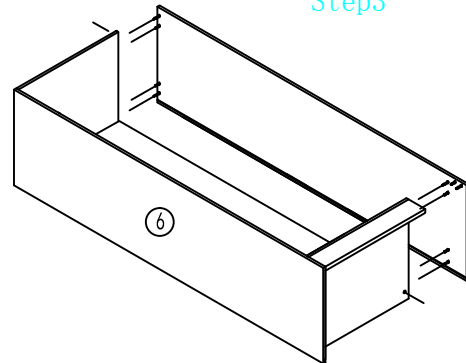
Step1



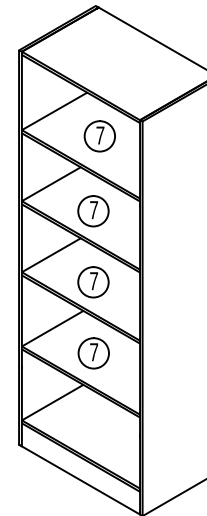
Step2



Step3



Step4



Step5

C2184

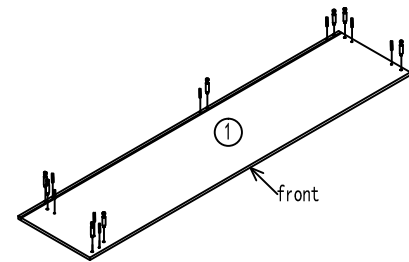
PICTURE	ITEM	SPEC	QTY.
	Cam lock	Ø15*13	16
	Cam lock screw	Ø8*35	16
	Dowel	Ø8*35	16
	Shelf support	Ø20*12	16

BOX

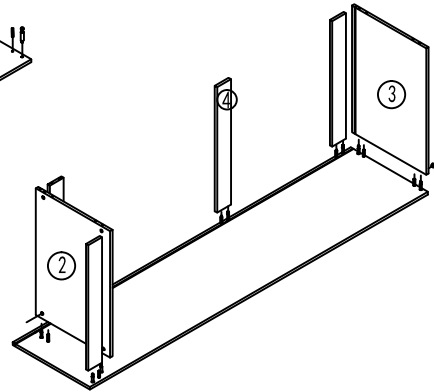
Part	L	W	T	QTY.
1 Right panel	83 5/8"	15"	3/4"	1
2 Bottom panel	15"	19 1/2"	3/4"	1
3 Top panel	15"	19 1/2"	3/4"	1
4 panel	3"	19 1/2"	3/4"	4
5 Back panel	79 5/8"	19 7/8"	3/8"	1
6 Left panel	83 5/8"	15"	3/4"	1
7 Shelf	13 7/8"	19 1/2"	3/4"	4
				total 13

ASSEMBLY INSTRUCTION

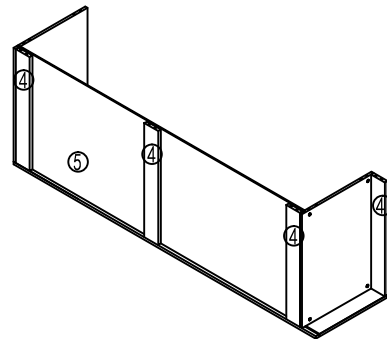
C2484



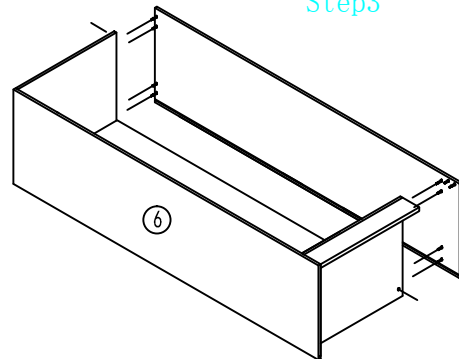
Step1



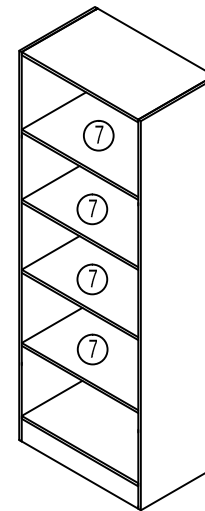
Step2



Step3



Step4



Step5

C2484

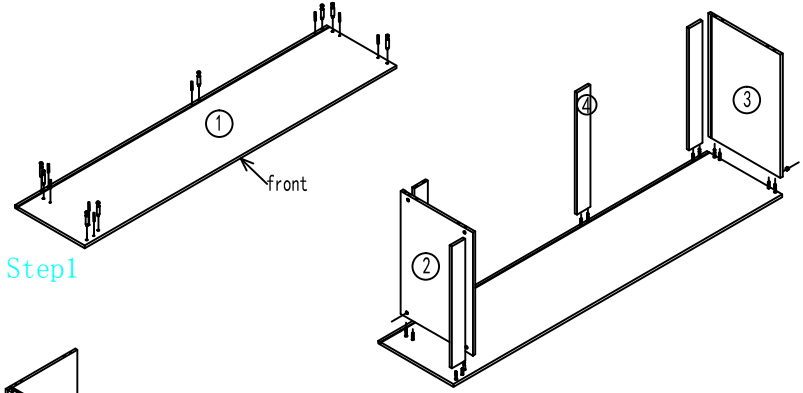
PICTURE	ITEM	SPEC	QTY.
	Cam lock	Ø15*13	16
	Cam lock screw	Ø8*35	16
	Dowel	Ø8*35	16
	Shelf support	Ø20*12	16

BOX

Part	L	W	T	QTY.
1 Right panel	83 5/8"	15"	3/4"	1
2 Bottom panel	15"	22 1/2"	3/4"	1
3 Top panel	15"	22 1/2"	3/4"	1
4 panel	3"	22 1/2"	3/4"	4
5 Back panel	79 5/8"	22 7/8"	3/8"	1
6 Left panel	83 5/8"	15"	3/4"	1
7 Shelf	13 7/8"	22 1/2"	3/4"	4
				total 13

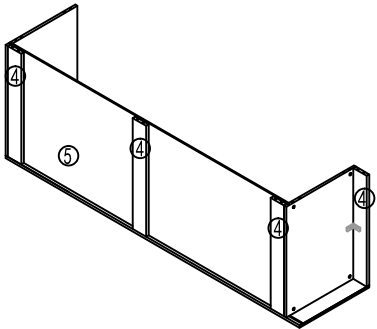
ASSEMBLY INSTRUCTION

C3084

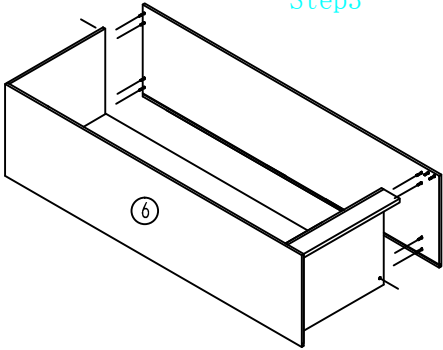


Step1

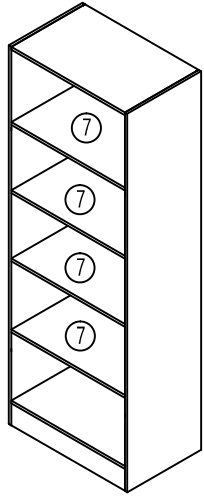
Step2



Step3



Step4



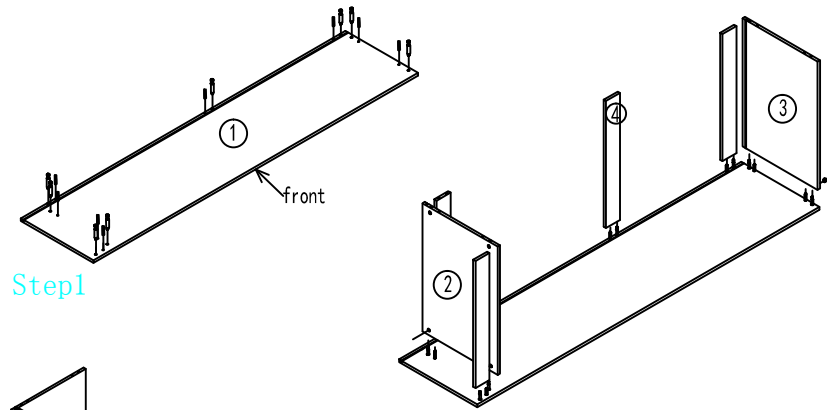
Step5

C3084

PICTURE	ITEM	SPEC	QTY.		
	Cam lock	φ15*13	16		
	Cam lock screw	φ8*35	16		
	Dowel	φ8*35	16		
	Shelf support	φ20*12	16		
	Metal bracket	Corner	1		
BOX					
	Part	L	W	T	QTY.
1	Right panel	83 5/8"	15"	3/4"	1
2	Bottom panel	15"	28 1/2"	3/4"	1
3	Top panel	15"	28 1/2"	3/4"	1
4	panel	3"	28 1/2"	3/4"	4
5	Back panel	79 5/8"	28 7/8"	3/8"	1
6	Left panel	83 5/8"	15"	3/4"	1
7	Shelf	13 7/8"	28 1/2"	3/4"	4
total 13					

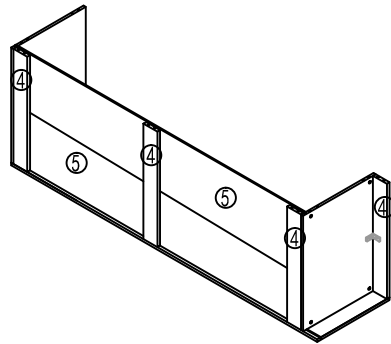
ASSEMBLY INSTRUCTION

C3684

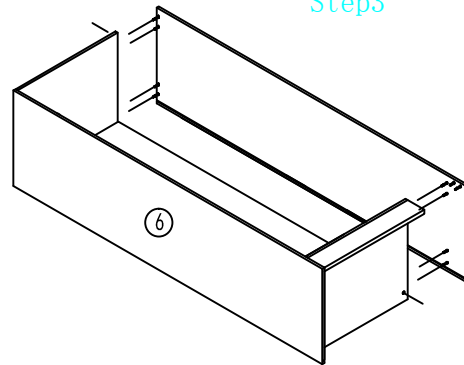


Step1

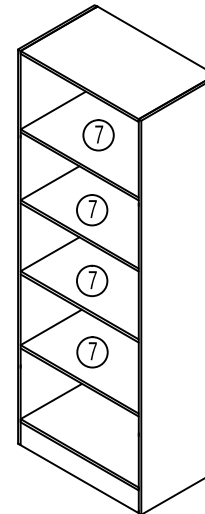
Step2



Step3



Step4



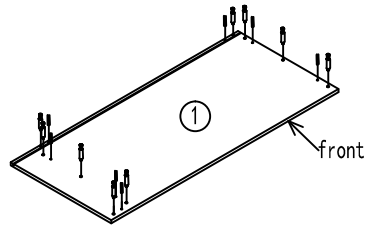
Step5

C3684

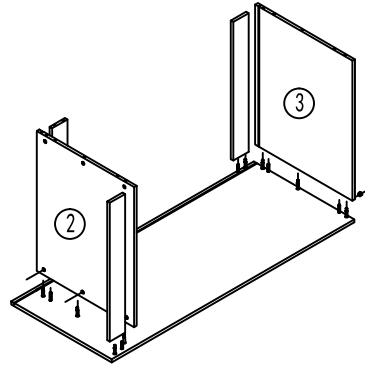
PICTURE	ITEM	SPEC	QTY.		
	Cam lock	Ø15*13	16		
	Cam lock screw	Ø8*35	16		
	Dowel	Ø8*35	16		
	Shelf support	Ø20*12	16		
	Metal bracket	Corner	1		
BOX					
Part	L	W	T	QTY.	
1	Right panel	83 5/8"	15"	3/4"	1
2	Bottom panel	15"	34 1/2"	3/4"	1
3	Top panel	15"	34 1/2"	3/4"	1
4	panel	3"	34 1/2"	3/4"	4
5	Back panel	79 5/8"	17 3/8"	3/8"	2
6	Left panel	83 5/8"	15"	3/4"	1
7	Shelf	13 7/8"	34 1/2"	3/4"	4
				total 14	

ASSEMBLY INSTRUCTION

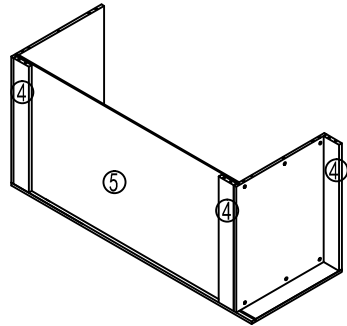
CB24D



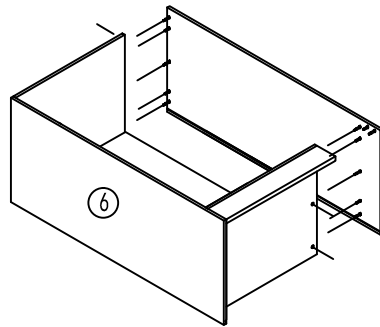
Step1



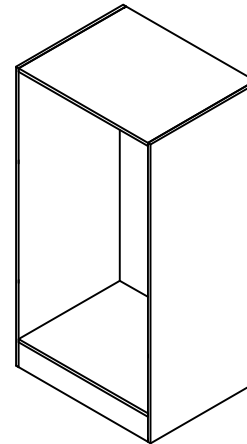
Step2



Step3



Step4



Step5

CB24D

PICTURE	ITEM	SPEC	QTY.
	Cam lock	φ15*13	18
	Cam lock screw	φ8*35	18
	Dowel	φ8*35	14

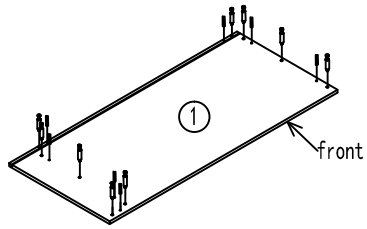
BOX

Part	L	W	T	QTY.
1 Right panel	40 3/4"	23 3/4"	3/4"	1
2 Bottom panel	23 3/4"	22 1/2"	3/4"	1
3 Top panel	23 3/4"	22 1/2"	3/4"	1
4 panel	3"	22 1/2"	3/4"	3
5 Back panel	36 3/4"	22 7/8"	3/8"	1
6 Left panel	40 3/4"	23 3/4"	3/4"	1

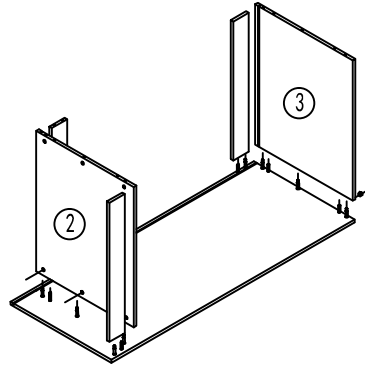
total 8

ASSEMBLY INSTRUCTION

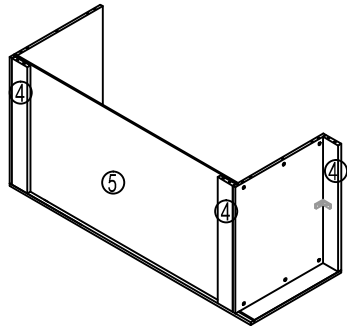
CB30D



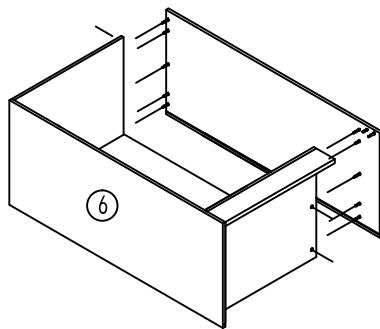
Step1



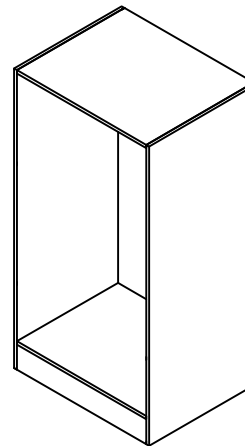
Step2



Step3



Step4



Step5

CB30D

PICTURE	ITEM	SPEC	QTY.
	Cam lock	φ15*13	18
	Cam lock screw	φ8*35	18
	Dowel	φ8*35	14
	Metal bracket	Corner	1

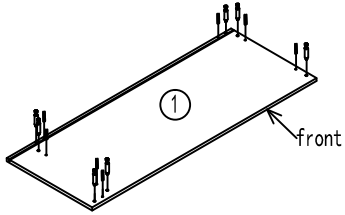
BOX

Part	L	W	T	QTY.
1 Right panel	40 3/4"	23 3/4"	3/4"	1
2 Bottom panel	23 3/4"	28 1/2"	3/4"	1
3 Top panel	23 3/4"	28 1/2"	3/4"	1
4 panel	3"	28 1/2"	3/4"	3
5 Back panel	36 3/4"	28 7/8"	3/8"	1
6 Left panel	40 3/4"	23 3/4"	3/4"	1

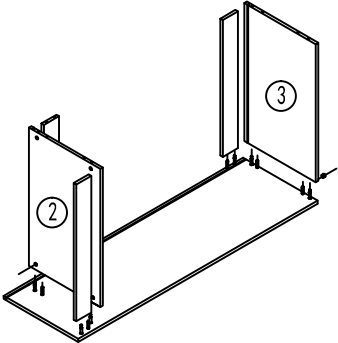
total 8

ASSEMBLY INSTRUCTION

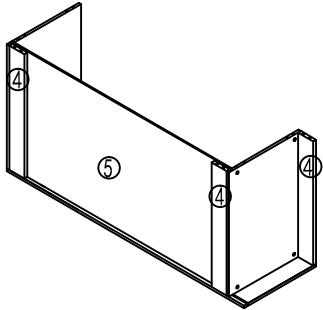
CB24



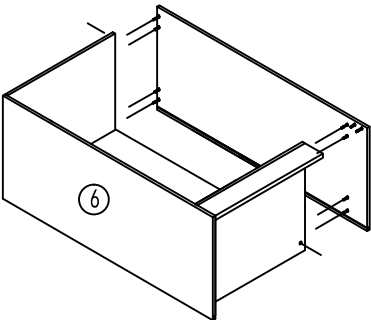
Step1



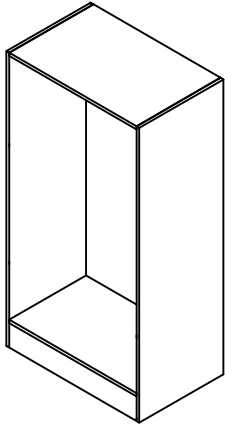
Step2



Step3



Step4



Step5

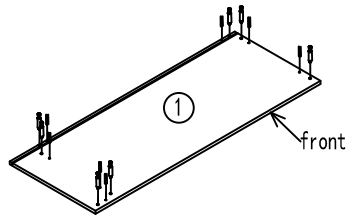
CB24

PICTURE	ITEM	SPEC	QTY.
	Cam lock	Ø15*13	14
	Cam lock screw	Ø8*35	14
	Dowel	Ø8*35	14

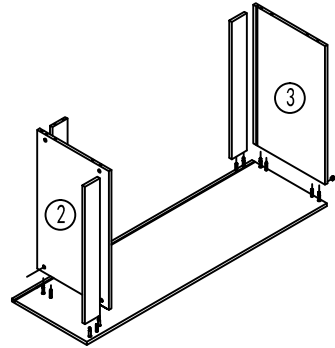
BOX					
Part	L	W	T	QTY.	
1	Right panel	40 3/4"	15"	3/4"	1
2	Bottom panel	15"	22 1/2"	3/4"	1
3	Top panel	15"	22 1/2"	3/4"	1
4	panel	3"	22 1/2"	3/4"	3
5	Back panel	36 3/4"	22 7/8"	3/8"	1
6	Left panel	40 3/4"	15"	3/4"	1
					total 8

ASSEMBLY INSTRUCTION

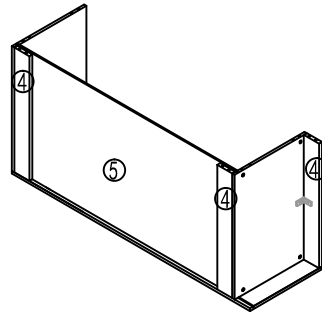
CB30



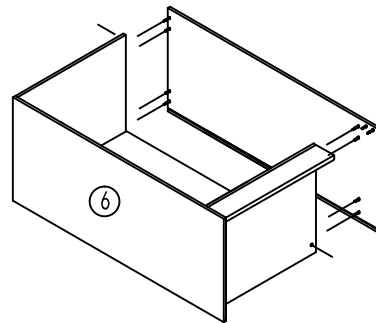
Step1



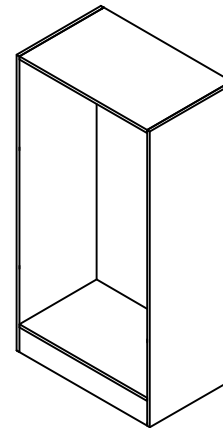
Step2



Step3



Step4



Step5

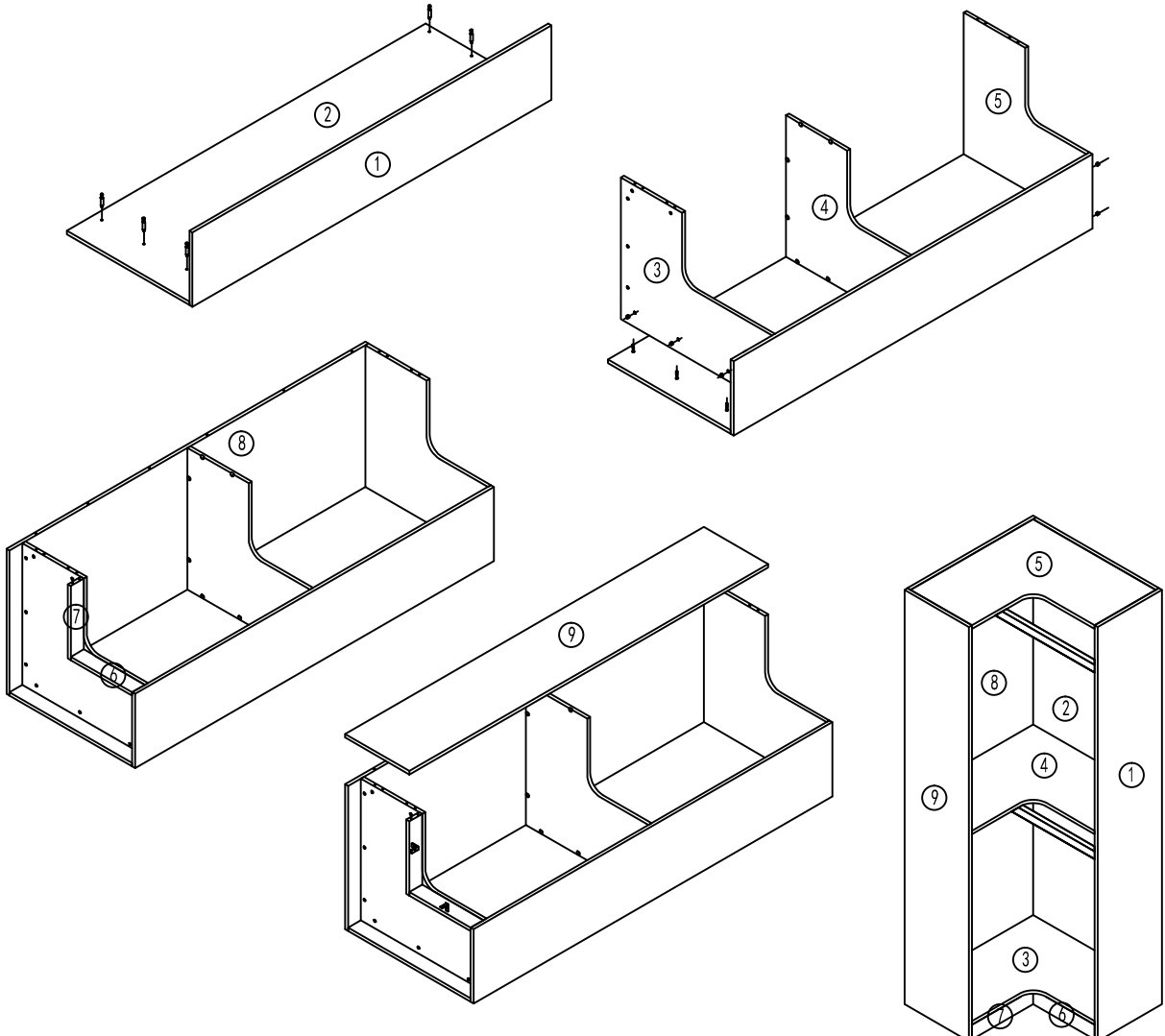
CB30

PICTURE	ITEM	SPEC	QTY.
	Cam lock	φ15*13	14
	Cam lock screw	φ8*35	14
	Dowel	φ8*35	14
	Metal bracket	Corner	1

BOX

Part	L	W	T	QTY.
1 Right panel	40 3/4"	15"	3/4"	1
2 Bottom panel	15"	28 1/2"	3/4"	1
3 Top panel	15"	28 1/2"	3/4"	1
4 panel	3"	28 1/2"	3/4"	3
5 Back panel	36 3/4"	28 7/8"	3/8"	1
6 Left panel	40 3/4"	15"	3/4"	1
				total 8

ASSEMBLY INSTRUCTION ER3084



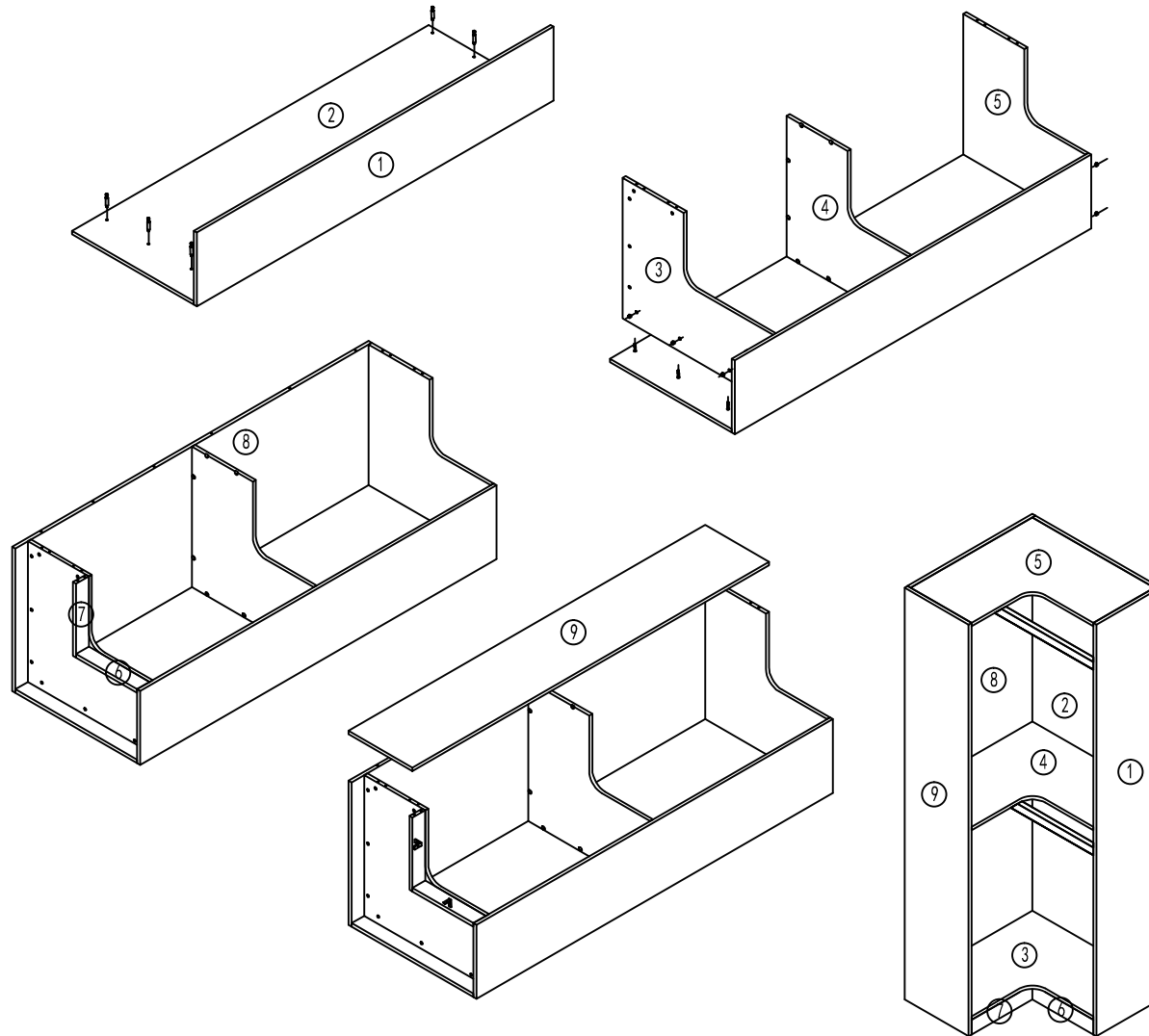
ER3084

PICTURE	ITEM	SPEC	QTY.
	Cam lock	□15*13	44
	Cam lock screw	□B*35	44
	Dowel	□B*35	8
	Shelf support	□20.5*13	8
	Hanging rod	len717mm	2
	Hanging rod support	26*40*15	4
	Metal bracket	Corner	2

BOX

Part	L	W	T	QTY.
1 Right panel	83 5/8"	15"	3/4"	1
2 Back panel1	83 5/8"	28 5/8"	3/4"	1
3 Bottom panel	28 5/8"	28 5/8"	3/4"	1
4 Shelf	28 5/8"	28 5/8"	3/4"	1
5 Top panel	28 5/8"	28 5/8"	3/4"	1
6 Toekick1	14 1/4"	3"	3/4"	1
7 Toekick2	15"	3"	3/4"	1
8 Back panel2	83 5/8"	29 1/4"	3/4"	1
9 Left panel	83 5/8"	15"	3/4"	1
total				9

ASSEMBLY INSTRUCTION ER3684



ER3684

PICTURE	ITEM	SPEC	QTY.
	Cam lock	Ø15*13	44
	Cam lock screw	Ø8*35	44
	Dowel	Ø8*35	8
	Shelf support	Ø20.5*13	8
	Hanging rod	len869mm	2
	Hanging rod support	26*40*15	4
	Metal bracket	Corner	2

BOX

Part	L	W	T	QTY.
1 Right panel	83 5/8"	15"	3/4"	1
2 Back panel1	83 5/8"	34 5/8"	3/4"	1
3 Bottom panel	34 5/8"	34 5/8"	3/4"	1
4 Shelf	34 5/8"	34 5/8"	3/4"	1
5 Top panel	34 5/8"	34 5/8"	3/4"	1
6 Toekick1	20 1/4"	3"	3/4"	1
7 Toekick2	21"	3"	3/4"	1
8 Back panel2	83 5/8"	35 1/4"	3/4"	1
9 Left panel	83 5/8"	15"	3/4"	1
				total 9