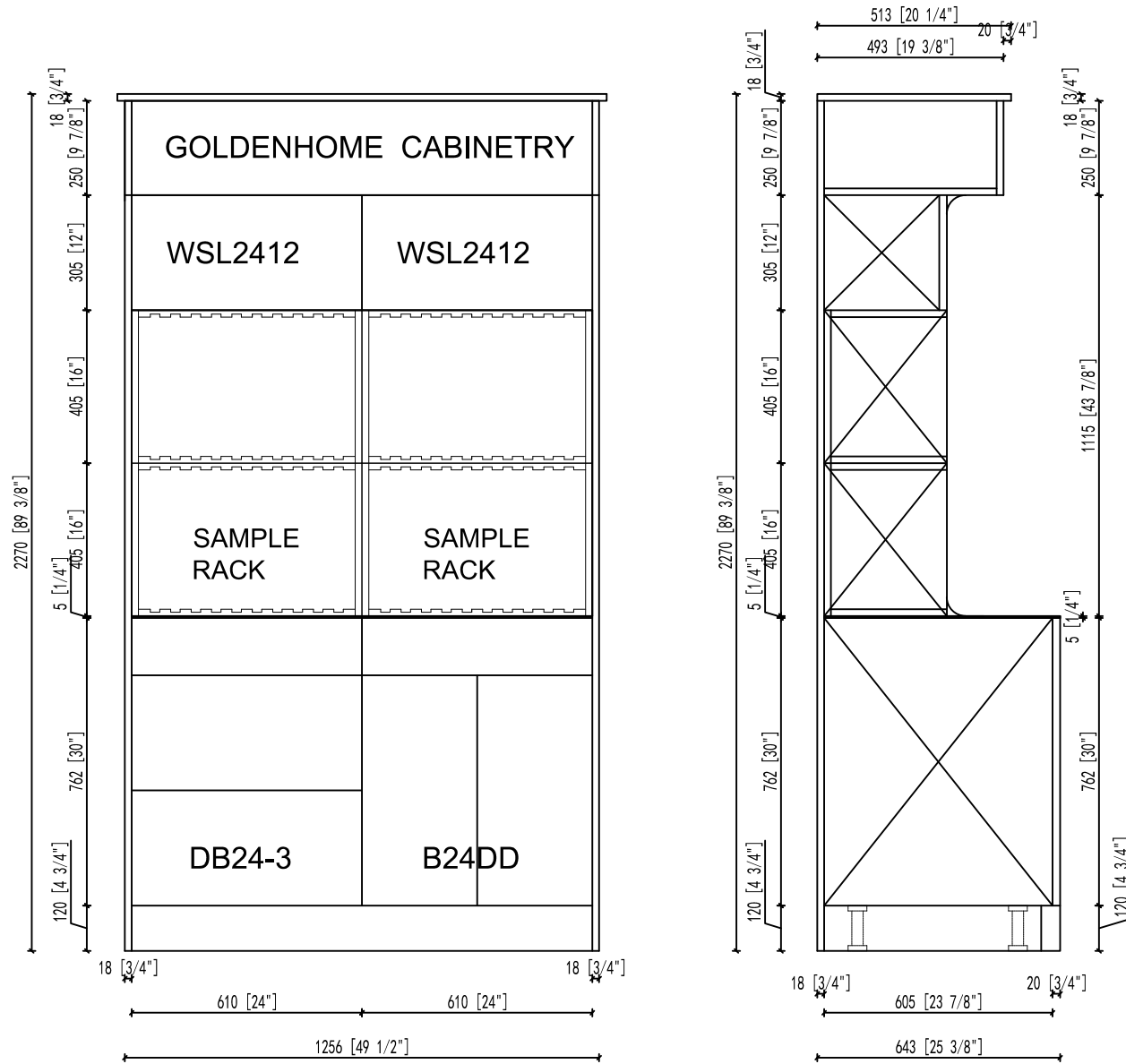
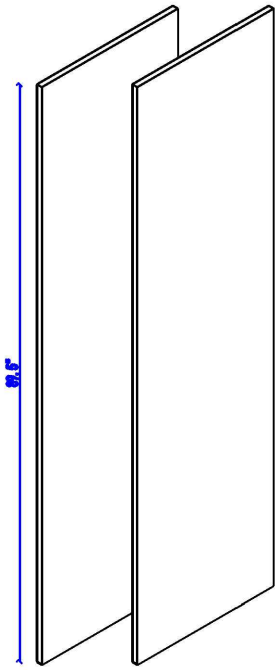


Drawing

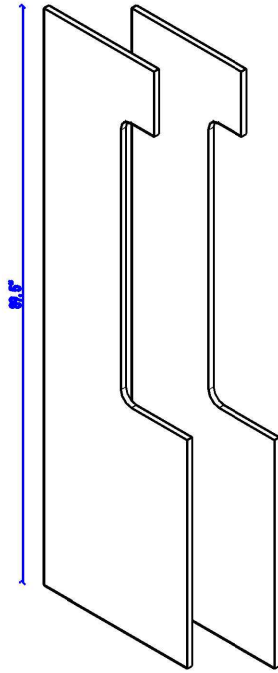


selection center

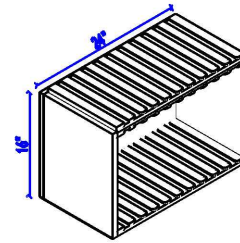
Item List



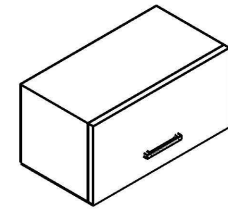
①Rear Panel*2



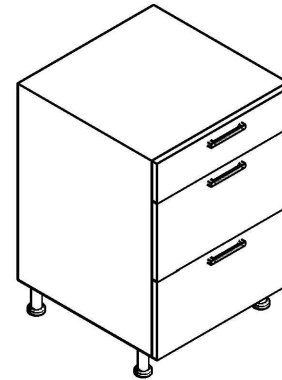
②Side Panel *2



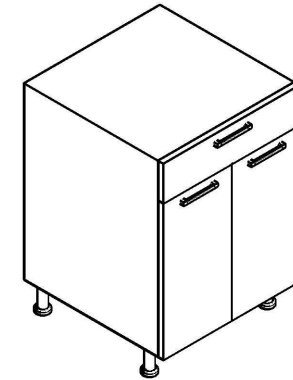
③Sample Rack*4



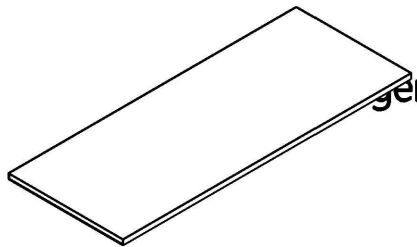
④WSL2412*2



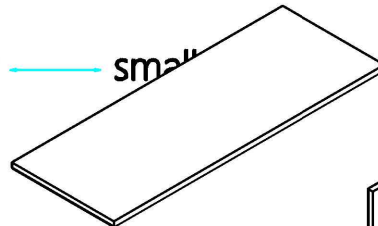
⑤DB24-3



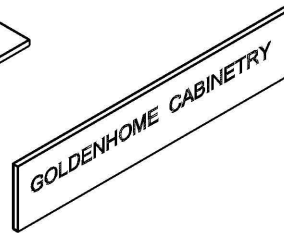
⑥B24DD



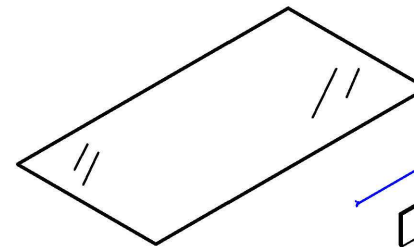
⑦ Top Panel



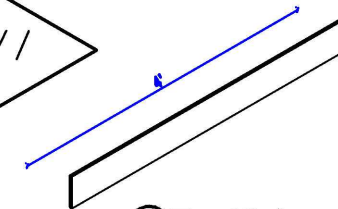
⑧ Plate Panel



⑨ Front panel

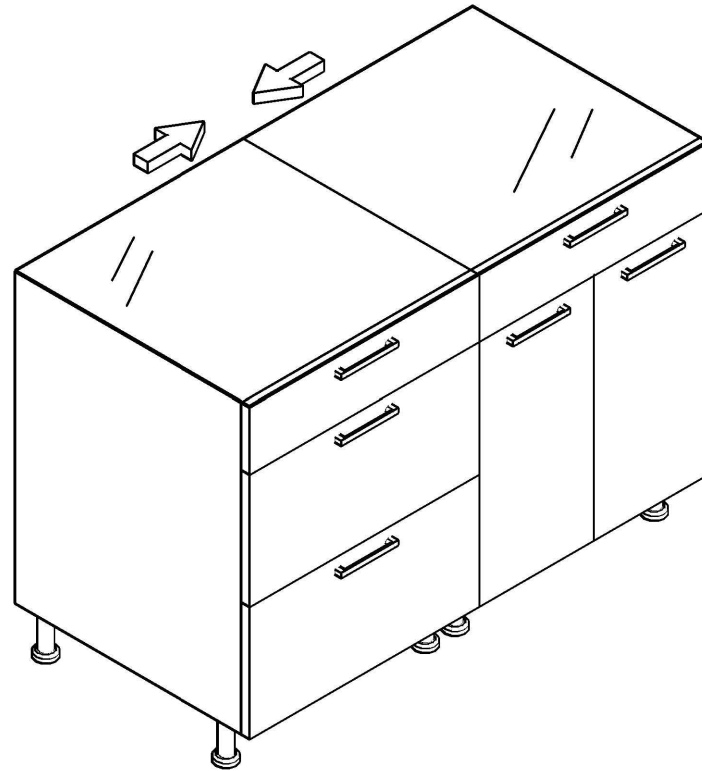


⑩Acrylic Counter



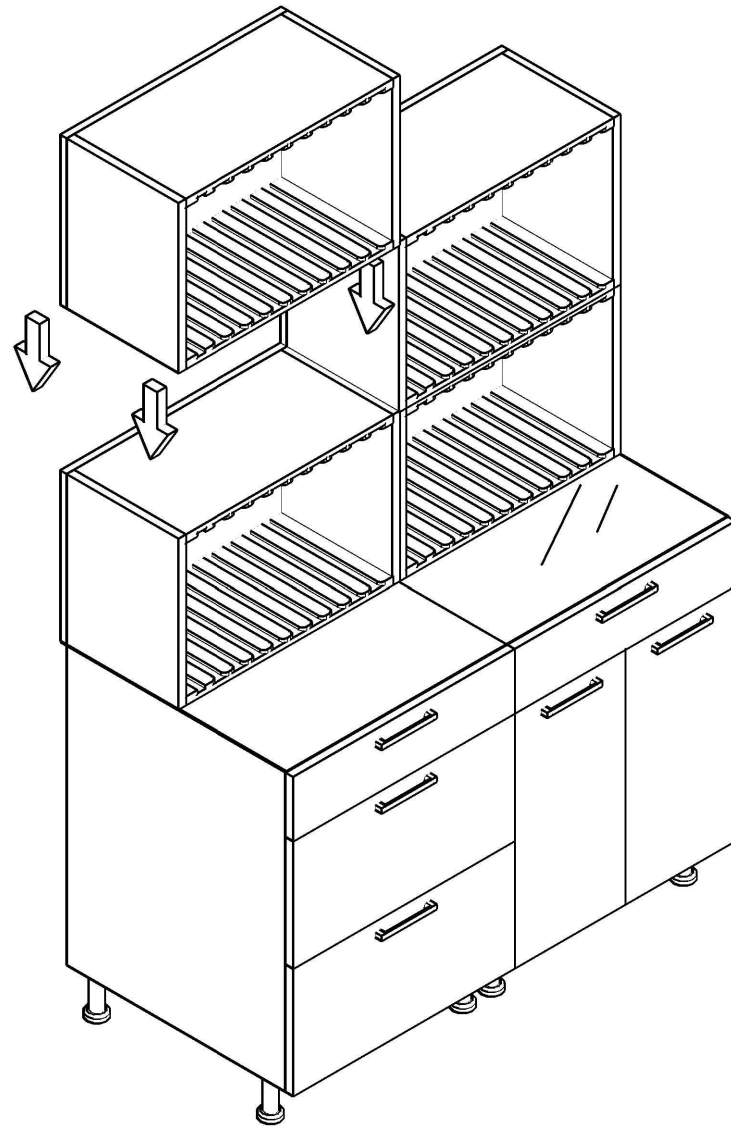
⑪ToeKick

STEP 1



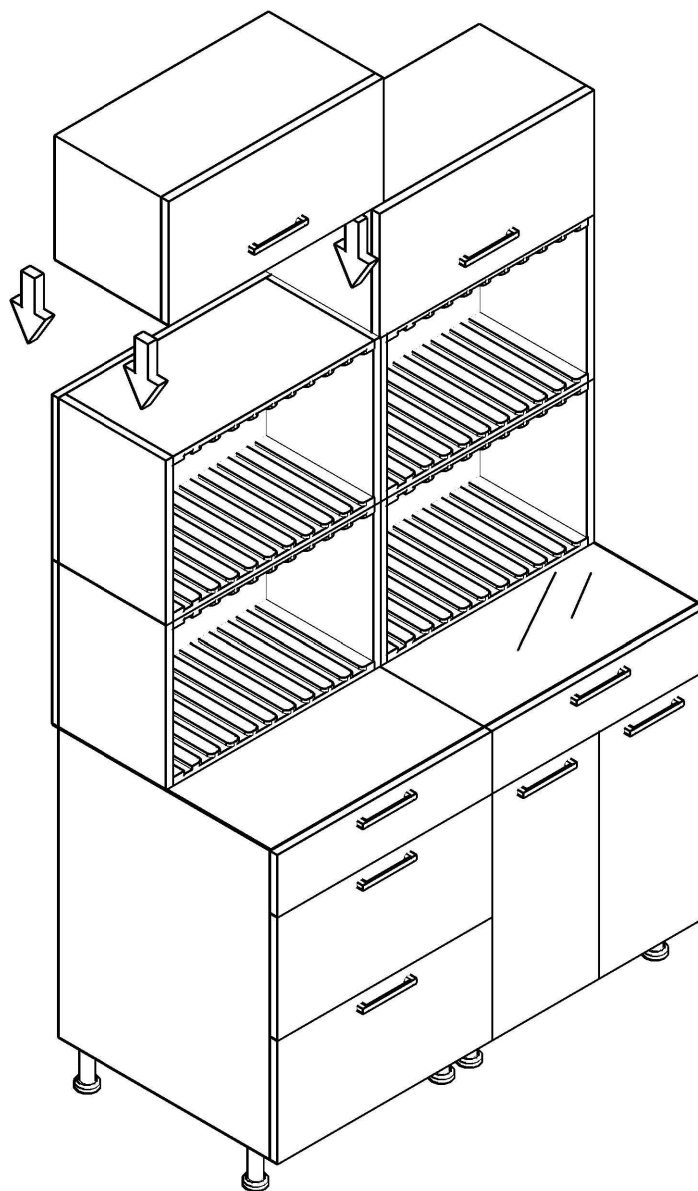
Assemble ⑤ and ⑥. connect them together.
Place ⑩ Acrylic Counter on them

STEP 2



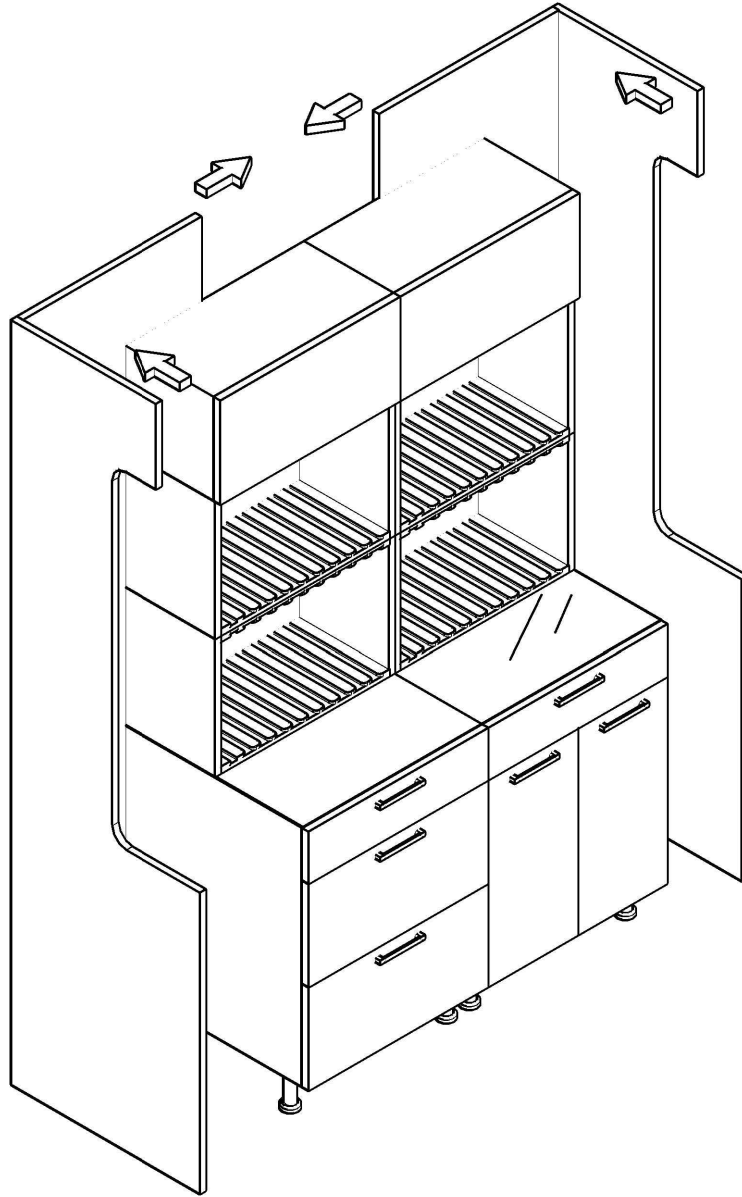
Stack ③ Sample Racks on the Counter

STEP 3



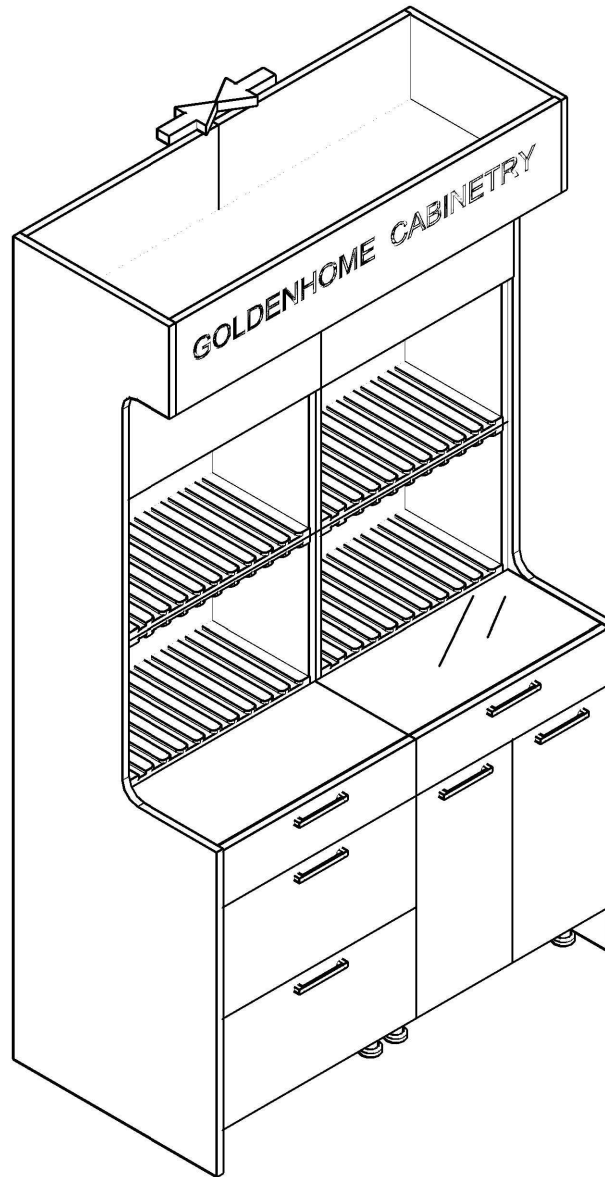
Stack ④ WSL2412 above Sample Racks

STEP 4



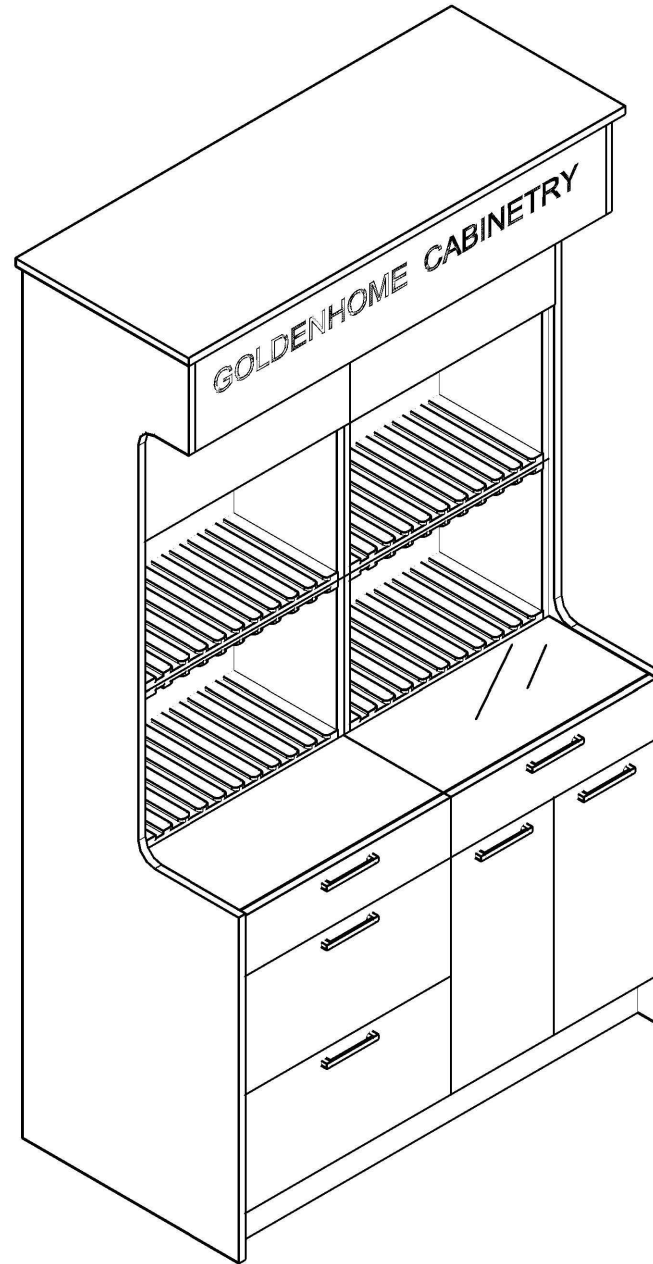
Assemble ① & ② together, attach to boxes.

STEP 5



Before screw two back panels tight,
assemble ⑧ and ⑨ on their position.

STEP 6



Assemble ⑦ Top panel and ⑪ ToeKick